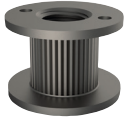




Cross Reference

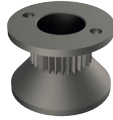
Clarendon Made	NAS Standards	SFS	The Young Engineers	Shur Lok
CM1834	NAS1834	EF1834	TYE2003	SL603

Type A (-)



Standard

Type B (K)



Countersunk

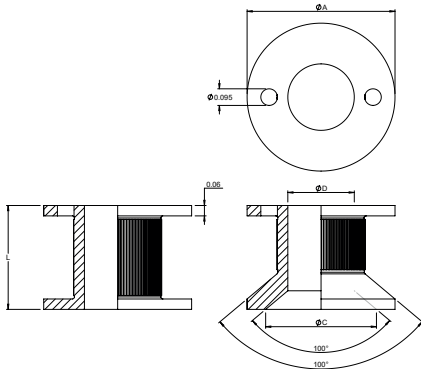
Table 1

Code	Ø A	Ø C	Ø D	L (min)	Tab
06	0.560	0.280	0.139 / 0.145	0.250	T3
08		0.332	0.168 / 0.174		
3		0.385	0.195 / 0.201		
4	0.685	0.507	0.256 / 0.263	0.312	T6
5		0.625	0.315 / 0.322		
6	0.841	0.750	0.376 / 0.383	0.375	T9

Dimension in INCH

Table 2

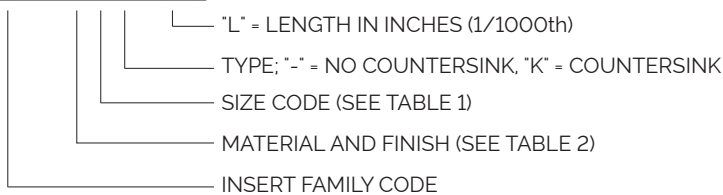
Code	Material	Finish	Type
-	CARBON STEEL EN 1.0726	CADMIUM PLATE AMS-QQ-P-416, TYPE II, CLASS 2	Type 1
C	STAINLESS STEEL EN 1.4305	PASSIVATE PER AMS2700, METHOD 1, TYPE 2, CLASS 4	
A	ALUMINIUM 3.1354 T351	ANODISE PER MIL-A-8625 TYPE I, CLASS 1	Type 2



PART NUMBER CALL OUT

NAS1834

CM1834-6-600



PART NUMBER CALL OUT: CM1834-CARBON STEEL-CADMIUM PLATE-SIZE CODE 6-NO COUNTERSINK-.600"

