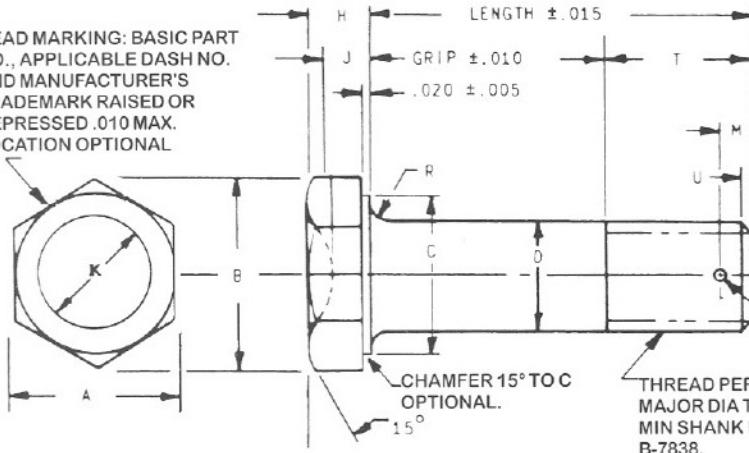


HEAD MARKING: BASIC PART NO., APPLICABLE DASH NO. AND MANUFACTURER'S TRADEMARK RAISED OR DEPRESSED .010 MAX. LOCATION OPTIONAL



POINT SHALL BE FLAT AND CHAMFERED. CHAMFER U. CHAMFER PLUS INCOMPLETE THREADS NOT TO EXCEED TWO PITCHES.

BASIC SERIES	THREAD	A	B REF	C MIN	D DIA		H +.015 -.000	J +.015 -.000	K DIA ±.01	M ±.010	P (d) DIA +.010 -.000	R RAD	T REF	U REF
					Before Plate	After Plate								
NAS1103	10-32 UNF-3A	.376 .367	0.43	0.359	.1887 .1881	.1895 .1885	0.11	0.073	0.19	0.117	0.07	.020 .010	0.276	.016
NAS1104	1/4-28 UNF-3A	.439 .430	0.51	0.422	.2487 .2481	.2495 .2485	0.125	0.083	0.25	0.116	0.076	.020 .010	0.316	.018
NAS1105	5/16-24 UNF-3A	.502 .492	0.58	0.484	.3112 .3106	.3120 .3110	0.156	0.104	0.31	0.119	0.076	.020 .010	0.375	.021
NAS1106	3/8-24 UNF-3A	.564 .553	0.65	0.547	.3737 .3731	.3745 .3735	0.188	0.125	0.38	0.12	0.106	.025 .015	0.391	.021
NAS1107	7/16-20 UNF-3A	.690 .679	0.79	0.672	.4362 .4356	.4370 .4360	0.219	0.146	0.44	0.124	0.106	.025 .015	0.453	.025
NAS1108	1/2-20 UNF-3A	.752 .741	0.87	0.734	.4987 .4981	.4995 .4985	0.25	0.167	0.50	0.123	0.106	.030 .020	0.453	.025
NAS1109	9/16-18 UNF-3A	.877 .865	1.01	0.859	.5607 .5601	.5615 .5605	0.281	0.188	0.56	0.124	0.141	.035 .020	0.511	.028
NAS1110	5/8-18 UNF-3A	.940 .928	1.09	0.922	.6232 .6226	.6240 .6230	0.312	0.208	0.62	0.124	0.141	.040 .025	0.543	.028
NAS1112	3/4-16 UNF-3A	1.064 1.052	1.23	1.047	.7482 .7476	.7490 .7480	0.375	0.25	0.75	0.128	0.141	.045 .030	0.572	.031
NAS1114	7/8-14 UNF-3A	1.252 1.239	1.44	1.234	.8732 .8726	.8740 .8730	0.438	0.292	0.88	0.134	0.141	.050 .035	0.652	.036
NAS1116	1-12 UNF-3A	1.440 1.427	1.66	1.422	.9982 .9976	.9990 .9980	0.50	0.333	1.00	0.139	0.141	.060 .045	0.77	.042

PROCUREMENT SPECIFICATION

NAS 498

TITLE

BOLT, HEX HEAD, CLOSE TOLERANCE  
160,000 PSI SHORT THREAD

CLASSIFICATION

STANDARD PART  
NAS 1103 THRU 1116