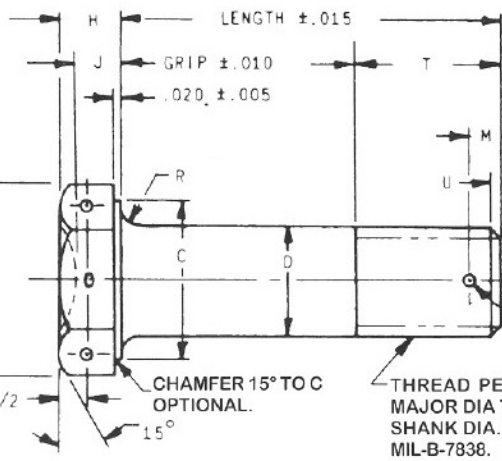


HEAD MARKING: BASIC PART NO., APPLICABLE DASH NO. AND MANUFACTURER'S TRADEMARK RAISED OR DEPRESSED .010 MAX. LOCATION OPTIONAL



POINT SHALL BE FLAT AND CHAMFERED. CHAMFER U. CHAMFER PLUS INCOMPLETE THREADS NOT TO EXCEED TWO PITCHES.

(d) DRILL P WHEN SPECIFIED BY PART NUMBER, CSK OPTIONAL.

THREAD PER MIL-S-7742 EXCEPT MAJOR DIA TO BE .001 BELOW MIN SHANK DIA. THREAD RUNOUT PER MIL-B-7838.

| Basic Part Number | Thread | A | B REF | C MIN | D DIAMETER | | H +.015 - .000 | J +.015 - .000 | K DIA ±.010 | M ±.010 | N DIA +.010 - .000 | P DIA +.010 - .000 | R RAD | T REF | U REF | | |
|-------------------|----------------|----------------|-------|-------|----------------|----------------|----------------|----------------|-------------|---------|--------------------|--------------------|--------------|-------|--------------|-------|-------|
| | | | | | Before Plate | After Plate | | | | | | | | | | | |
| NAS1303 | #10-32 UNF-3A | .376 .367 | 0.43 | 0.359 | .1887 .1881 | .1895 .1885 | 0.11 | 0.073 | 0.19 | 0.163 | 0.046 | 0.07 | | 0.338 | 0.016 | | |
| NAS1304 | 1/4-28 UNF-3A | .439 .430 | 0.51 | 0.422 | .2487 .2481 | .2495 .2485 | 0.125 | 0.083 | 0.25 | 0.178 | | | | 0.076 | .020 .010 | 0.425 | 0.018 |
| NAS1305 | 5/16-24 UNF-3A | .502 .492 | 0.58 | 0.484 | .3112 .3106 | .3120 .3110 | 0.156 | 0.104 | 0.31 | 0.181 | | | | | | 0.469 | 0.021 |
| NAS1306 | 3/8-24 UNF-3A | .564 .553 | 0.65 | 0.547 | .3737 .3731 | .3745 .3735 | 0.188 | 0.125 | 0.38 | 0.197 | 0.106 | .025 .015 | 0.578 | 0.021 | | | |
| NAS1307 | 7/16-20 UNF-3A | .690 .679 | 0.79 | 0.672 | .4362 .4356 | .4370 .4360 | 0.219 | 0.146 | 0.44 | 0.201 | | | 0.594 | 0.025 | | | |
| NAS1308 | 1/2-20 UNF-3A | .752 .741 | 0.87 | 0.734 | .4987 .4981 | .4995 .4985 | 0.25 | 0.167 | 0.50 | 0.216 | | | .030 .020 | 0.735 | 0.025 | | |
| NAS1309 | 9/16-18 UNF-3A | .877 .865 | 1.01 | 0.859 | .5607 .5601 | .5615 .5605 | 0.281 | 0.188 | 0.56 | 0.218 | 0.07 | .035 .020 | 0.84 | 0.028 | | | |
| NAS1310 | 5/8-18 UNF-3A | .940 .928 | 1.09 | 0.922 | .6232 .6226 | .6240 .6230 | 0.312 | 0.208 | 0.62 | 0.249 | | | .040 .025 | 0.902 | 0.028 | | |
| NAS1312 | 3/4-16 UNF-3A | 1.064 1.052 | 1.23 | 1.047 | .7482 .7476 | .7490 .7480 | 0.375 | 0.25 | 0.75 | 0.252 | | | .045 .030 | 1.041 | 0.031 | | |
| NAS1314 | 7/8-14 UNF-3A | 1.252 1.239 | 1.44 | 1.234 | .8732 .8726 | .8740 .8730 | 0.438 | 0.292 | 0.88 | 0.257 | 0.141 | .050 .035 | 1.184 | 0.036 | | | |
| NAS1316 | 1-12 UNF-3A | 1.440 1.427 | 1.66 | 1.422 | .9982 .9976 | .9990 .9980 | 0.50 | 0.333 | 1.00 | 0.264 | | | .060 .045 | 1.309 | 0.042 | | |

PROCUREMENT SPECIFICATION

MIL-B-7838

TITLE

BOLT, HEX HEAD, CLOSE TOLERANCE
160,000 PSI TENSILE

CLASSIFICATION

STANDARD PART
NAS 1303 THRU 1316

16761 Burke Lane, Huntington Beach, CA 92647
Phone: 714-842-2603 Fax: 714-847-1824
info@coastfab.com