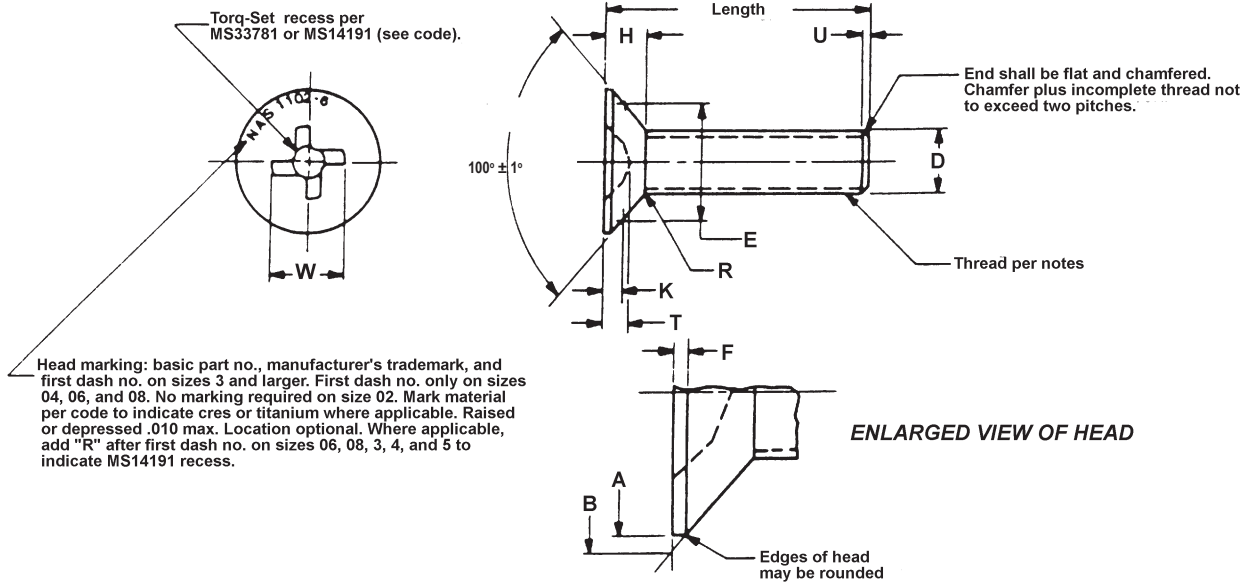


# NAS1102 Series Specifications

Screw, Machine Flat 100° Head

Full Thread, Torq-Set



Head marking: basic part no., manufacturer's trademark, and first dash no. on sizes 3 and larger. First dash no. only on sizes 04, 06, and 08. No marking required on size 02. Mark material per code to indicate cres or titanium where applicable. Raised or depressed .010 max. Location optional. Where applicable, add "R" after first dash no. on sizes 06, 08, 3, 4, and 5 to indicate MS14191 recess.

Part No.	Thread	A Diameter	B Absolute Min Diameter	F	H Ref.	R	U Ref.	D Diameter Max	T Max	W Max	Recess Gage Penetration		K	E Diameter
											Max	Min		
NAS1102-02	.0860-56 UNJC 3A	.172 .162	.126	.015 .005	.036	.015 .005	.010	.086	.043	.115	.0315	.0225	-	-
NAS1102-04	.1120-40 UNJC 3A	.225 .213	.177	.015 .005	.045	.015 .005	.013	.112	.055	.0148	.0405	.0305	-	-
NAS1102-06	.1380-32 UNJC 3A	.279 .267	.231	.015 .005	.057	.020 .010	.016	.138	.066	.182	.0500	.0395	-	-
NAS1102-08	.1640-32 UNJC 3A	.332 .319	.270	.020 .010	.068	.020 .010	.016	.164	.078	.215	.0595	.0480	.0268 .0240	.2671 .2667
NAS1102-3	.1900-32 UNJF 3A	.385 .371	.322	.020 .010	.080	.020 .010	.016	.190	.090	.248	.0685	.0560	.0290 .0263	.3147 .3143
NAS1102-4	.2500-28 UNJF 3A	.507 .491	.442	.020 .010	.106	.020 .010	.018	.250	.118	.325	.0890	.0750	.0342 .0316	.4245 .4241
NAS1102-5	.3125-24 UNJF 3A	.635 .617	.568	.020 .010	.133	.020 .010	.021	.312	.122	.357	.0860	.0700	.0395 .0370	.5389 .5385
NAS1102-6	.3750-24 UNJF 3A	.762 .742	.694	.020 .010	.160	.020 .010	.021	.375	.145	.427	.1030	.0850	.0450 .0426	.6532 .6528

**LENGTH CHART**

DASH NO.	LENGTH	TOLERANCE	DASH NO.	LENGTH	TOLERANCE
3	.188	+0.00, -0.031	18	1.125	+0.00, -0.062
4	.250	+0.00, -0.031	20	1.250	+0.00, -0.062
5	.312	+0.00, -0.031	22	1.375	+0.00, -0.062
6	.375	+0.00, -0.031	24	1.500	+0.00, -0.062
7	.438	+0.00, -0.031	26	1.625	+0.00, -0.062
8	.500	+0.00, -0.031	28	1.750	+0.00, -0.062
10	.625	+0.00, -0.031	30	1.875	+0.00, -0.062
12	.750	+0.00, -0.031	32	2.000	+0.00, -0.062
14	.875	+0.00, -0.031	34 TO 96	2.125 TO 6.000	+0.00, -0.094
16	1.000	+0.00, -0.031			

**MIN. TENSILE STRENGTH, Lbs.**

PART NUMBER	ALLOY STEEL CRES (160 KSI) TI (6AL-4V)
NAS1102-02	591
NAS1102-04	966
NAS1102-06	1,450
NAS1102-08	2,240
NAS1102-3	3,180
NAS1102-4	5,820
NAS1102-5	9,200
NAS1102-6	14,000

**MATERIAL:**  
 Alloy steel, 4140 per MIL-S-5626, 4340 per MIL-S-5000, or 8740 per MIL-S-6049  
 Cres per AMS5737 (A286), except for heat treatment, designated by "E" code  
 Titanium alloy (6AL-4V) per AMS4967, designated by "V" code

**HEAT TREAT:**  
 Alloy steel - 160,000 - 180,000 psi UTS per MIL-H-6875  
 Cres - 160,000 psi UTS min. at room temp.  
 Titanium alloy - 160,000 psi UTS min.