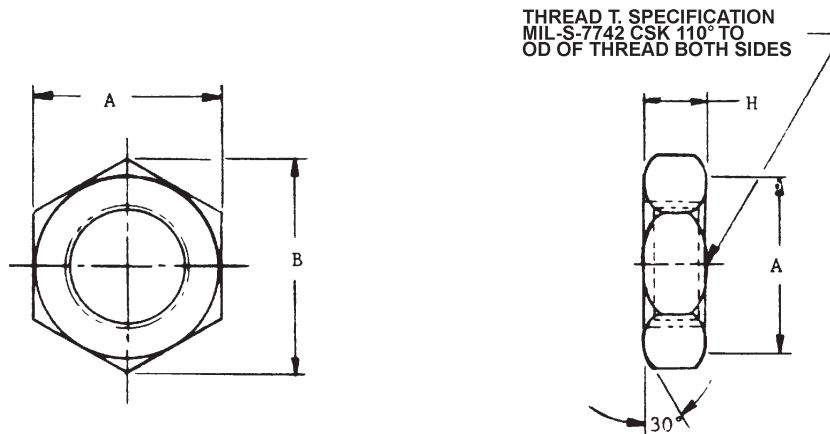


AN316 Series Specifications

Nut, Jam, Hexagon



AN PART NO.	THREAD T	ULTIMATE TENSILE STRENGTH, MIN, LBS	A	B APPROX.	H	
AN315-3	#10-32 UNF-3B	2,210	.375	+0.002 -0.000	.438	.141
AN316-4	1/4-28 UNF-3B	2,040	.438	+0.002 -0.010	.500	.125
AN316-5	5/16-24 UNF-3B	3,250	.500	+0.002 -0.010	.578	.156
AN316-6	3/8-24 UNF-3B	5,050	.563	+0.002 -0.010	.656	.188
AN316-7	7/16-20 UNF-3B	6,800	.625	+0.002 -0.011	.719	.219
AN316-8	1/2-20 UNF-3B	9,250	.750	+0.002 -0.012	.875	.250
AN316-9	9/16-18 UNF-3B	11,800	.875	+0.002 -0.012	1.016	.281
AN316-10	5/8-18 UNF-3B	15,050	1.000	+0.002 -0.014	1.156	.313
AN316-12	3/4-16 UNF-3B	22,000	1.125	+0.002 -0.016	1.297	.375
AN316-14	7/8-14 UNF-3B	30,000	1.313	+0.002 -0.017	1.516	.438
AN316-18	1-12 UNF-3B	40,350	1.500	+0.002 -0.019	1.734	.500

All dimensions are in inches. Unless otherwise specified, tolerances: $\pm .015$; angles $\pm 1^\circ$

MATERIAL: Steel and corrosion-resistant steel. See procurement specification.

FINISH: Steel cadmium plate in accordance with QQ-P-416, type II, class 2. Corrosion-resistant steel - passivate in accordance with QQ-P-35.

Add "C" before dash number for corrosion-resistant steel nuts

Add "R" after dash number for right-hand thread

Add "L" after dash number for left-hand thread

Example of part numbers: AN316-7R = nut, steel, 7/16-20 UNF-3, right-handed thread
 AN316-7L = nut, steel, 7/16-20 UNF-3, left-handed thread
 AN316C7L = nut, corrosion-resistant steel, 7/16-20 UNF-3, left-handed thread

For sizes smaller than 1/4, use nut AN315.