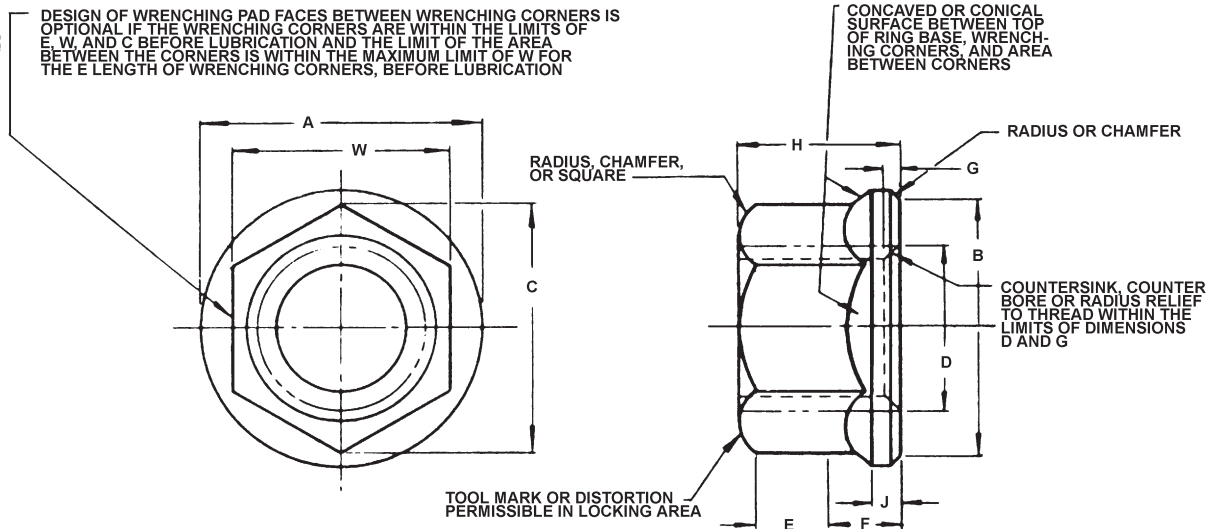


MS21042 / NAS1291 Series Specifications

Nuts, Self-locking, 45° , Reduced Hexagon, Reduced Height, Ring Base, Non-Corrosion Resistant Steel



Size Dash No.	Thread ^a	A Max	B Min	C Min	D		E ^d Min	F ^e Min	G		H		J Min	W ^c		X ^b	Axial ^f Strength Min, lb	Weight lb/100 Max	Wrenching Torque Test ^f Value, in-lb
					Max	Min			Max	Min	Max	Min		Max	Min				
02	2-56 UNC-3B	.167	.137	.138	.106	.086	.045	.019	.021	.004	.100	.080	.010	.127	.122	.0025	660	.020	5
04	4-40 UNC-3B	.206	.176	.171	.142	.112	.050	.028	.027	.005	.125	.103	.010	.158	.150	.003	1110	.050	10
06	6-32 UNC-3B	.244	.214	.207	.168	.138	.055	.039	.031	.006	.141	.115	.010	.190	.181	.003	1670	.080	20
08	8-32 UNC-3B	.290	.260	.244	.194	.164	.060	.041	.031	.006	.188	.125	.015	.221	.213	.003	2490	.150	30
3	10-32 UNF-3B	.330	.290	.277	.220	.190	.065	.043	.031	.006	.188	.154	.015	.252	.243	.003	3470	.180	60
4	1/4-28 UNF-3B	.420	.386	.347	.280	.250	.090	.057	.036	.007	.219	.204	.019	.316	.304	.003	6200	.350	150
5	5/16-24 UNF-3B	.520	.482	.419	.342	.312	.120	.077	.042	.008	.266	.251	.023	.378	.367	.004	9820	.600	330
6	3/8-24 UNF-3B	.620	.575	.491	.405	.375	.125	.089	.042	.008	.282	.267	.030	.440	.430	.004	15200	.800	530
7	7/16-20 UNF-3B	.708	.680	.562	.467	.437	.160	-	-	-	.328	.313	.035	.504	.494	.004	20600	1.30	825
8	1/2-20 UNF-3B	.814	.786	.633	.530	.500	.225	-	-	-	.410	.350	.040	.566	.556	.004	27500	2.10	1125
9	9/16-18 UNF-3B	.912	.874	.775	.592	.562	.320	-	-	-	.480	.420	.045	.692	.680	.004	34800	3.60	1550
10	5/8-18 UNF-3B	1.014	.976	.846	.655	.625	.365	-	-	-	.550	.490	.050	.755	.743	.004	43600	4.50	2000

All dimensions in inches; nuts dash size 7 and larger use NAS1291 prefix, stainless steel nuts use NAS1291C designation.

- (a) Threads in accordance with MIL-S-7742 before lubrication
- (b) Bearing surface shall be square with pitch diameter within X when measured in accordance with MIL-N-25027
- (c) Dimension across flats includes deformation of locking device
- (d) Minimum length of each wrenching corner
- (e) Minimum distance from the washer face of the nut to the beginning of the minimum length E of each wrenching corner
- (f) For alloy steel nuts. For A286 nuts multiply these values by .694

Material: Alloy steel or A286 corrosion resistant steel (NAS1291C designation)

Plating: Plain cadmium-plated nuts in accordance with QQ-P-416, Type II, Class 3. Dry film lubricated nuts in accordance with QQ-P-416. NAS1291C designation nuts: silver plate per AMS2410

Lubricant: Dry film lubricant approved in accordance with MIL-N-25027. Other lubricants soluble in the cleaner specified in procurement specification. For USAF applications, nuts treated with dry film lubricants shall not be utilized in integral fuel tanks.

Hardness: Rockwell C49 minimum (alloy steel nuts)

Break all sharp edges and remove all hanging burrs and slivers which might become dislodged under usage. Surface roughness in accordance with MIL-STD-10. Unless otherwise specified the surface roughness shall not exceed 125 uin. These nuts shall be used in accordance with the limitations of MS33588.