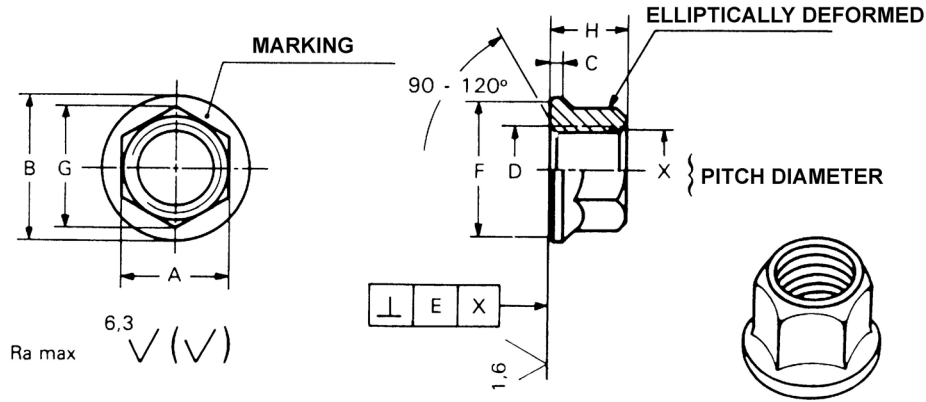


PH135 Metric Jetnuts Series Specifications

**All dimensions are in millimeters*



Part Number	D Thread	A h12	B Max	C Min	E Max	F Min	G Min	H Max	Weight, kg/100
3PH135M	M3x0.50-4H5H	4	6.0	0.4	0.06	5.3	4.2	3.0	0.028
4PH135M	M4x0.70-4H5H	5	7.4	0.5	0.08	6.7	5.3	4.0	0.050
5PH135M	M5x0.80-4H5H	6	9.1	0.6	0.08	8.3	6.5	5.0	0.080
6PH135M	M6x1.00-4H5H	7	10.6	0.7	0.08	9.8	7.6	5.4	0.115
8PH135M	M8x1.25-4H5H	10	13.6	1.1	0.09	12.8	10.9	7.0	0.315
8100PH135M	MJ8x1.00-4H5H	10	13.6	1.1	0.09	12.8	10.9	7.0	0.315
10PH135M	M10x1.50-4H5H	12	16.8	1.3	0.10	15.8	13.2	8.5	0.475
10125PH135M	MJ10x1.25-4H5H	12	16.8	1.3	0.10	15.8	13.2	8.5	0.475
12PH135M	M12x1.50-4H5H	14	19.9	2	0.13	18.8	15.5	10.5	1.000
12125PH135M	MJ12x1.25-4H5H	14	19.9	2	0.13	18.8	15.5	10.5	1.000
14PH135M	M14x1.50-5H	16	23.0	2	0.15	21.9	17.9	12.0	1.180

CODE	35M
MATERIAL	35CD4S
HARDNESS	46-49HRC
SURFACE TREATMENT	Cadmium Plating 5 μm mini + MOS ₂
STRENGTH CLASS @ 20°C	160,000 psi
TEMPERATURE CLASS	450°F

THREAD	CODE	PROFILE	TOLERANCES	MARKING
ISO	M	NFL 05220 AICMA 0501A	NFL 05224 AICMA 2011A	SD
MJ (08 - 10 - 12)	MJ	ISO 5855	ISO 5855	MJ - SD

=====

SOME SIZES AVAILABLE IN HIGH TEMPERATURE (900°F) CONFIGURATION:
A286 MATERIAL, SILVER PLATED.
CONTACT US FOR DETAILS.

=====