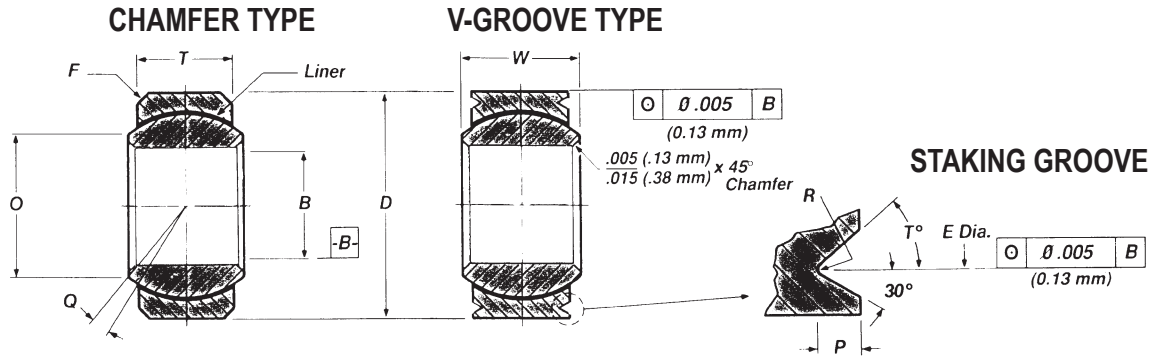


Aerospace Spherical Bearings: Specifications

We also stock the standard aerospace spec v-groove series of NHBB (NMB-USA) spherical bearings. Our testing and in-car experience has led us to conclude that they are the finest production bearings currently available.

- MS14101: Narrow race, V-groove (ref. NMB: ABT-V, HT-V)
- MS14102: Wide race, chamfered (ref. NMB: ABWT, WHT)
- MS14103: Wide race, V-groove (ref. NMB: ABWT-V, WHT-V)
- MS14104: Narrow race, chamfered (ref. NMB: ABT, HT)



Part Number Prefix		(B) Bore Dia	(D) Outside Dia	(W) Ball Width	(T) Race Width	Ball Dia	(F) Race Chamf'd x 45°	(Q) Misalignment	(E) Pitch Dia	(P)	(R)	(T)	Limit Static Radial Load	Limit Static Axial Load	Dynamic Osc. Radial Load
Chamfered	V-Grooved	inch +.000 -.001	inch +.0000 -.0005	inch +.000 -.002	inch ±.005	inch ref.	inch +.000 -.001	Min	inch +.000 -.010	inch +.000 -.015	inch		lbs	lbs	lbs
MS14104	MS14101	NARROW													
ADB 4 (L)	ADB 4V (L)	.250	.656	.343	.250	.500	.020	10°	.596	.030	.005 to .010	20° min	6,040	430	3,320
ADB 5 (L)	ADB 5V (L)	.312	.750	.375	.281	.562	.020	10°	.652	.040	.005 to .010	30°	8,750	700	5,460
ADB 6 (L)	ADB 6V (L)	.375	.812	.406	.312	.656	.030	9°	.714	.040	.01 to .02	30°	10,540	1,100	6,600
ADB 7 (L)	ADB 7V (L)	.437	.906	.437	.343	.718	.030	8°	.808	.040	.01 to .02	30°	13,200	1,400	8,050
ADB 8 (L)	ADB 8V (L)	.500	1.000	.500	.390	.813	.030	8°	.878	.060	.01 to .02	30°	17,900	2,100	10,400
ADB 9 (L)	ADB 9V (L)	.562	1.093	.562	.437	.875	.030	8°	.972	.060	.01 to .02	30°	23,200	3,680	13,000
ADB 10 (L)	ADB 10V (L)	.625	1.187	.625	.500	.968	.030	8°	1.065	.060	.01 to .02	30°	30,500	4,720	16,450
ADB 12 (L)	ADB 12V (L)	.750	1.437	.750	.593	1.187	.040	8°	1.315	.060	.01 to .02	30°	46,400	6,750	23,600
ADB 14 (L)	ADB 14V (L)	.875	1.562	.875	.703	1.312	.040	8°	1.440	.060	.01 to .02	30°	62,200	9,350	30,250
ADB 16 (L)	ADB 16 (L)	1.000	1.750	1.000	.797	1.500	.040	9°	1.628	.060	.01 to .02	30°	82,200	12,160	38,000
MS14102	MS14103	WIDE													
ADW 4 (L)	ADW 4V (L)	.250	.625	.437	.327	.531	.025	15°	.565	.030	.005 to .010	20° min	5,500	1,770	4,900
ADW 5 (L)	ADW 5V (L)	.312	.687	.437	.317	.593	.025	14°	.627	.030	.005 to .015	30°	9,400	1,640	6,050
ADW 6 (L)	ADW 6V (L)	.375	.812	.500	.406	.687	.030	8°	.714	.040	.01 to .02	30°	13,700	2,630	8,310
ADW 7 (L)	ADW 7V (L)	.437	.937	.562	.442	.781	.030	10°	.839	.040	.01 to .02	30°	20,700	3,650	11,750
ADW 8 (L)	ADW 8V (L)	.500	1.000	.625	.505	.875	.030	9°	.902	.040	.01 to .02	30°	21,400	4,970	14,950
ADW 9 (L)	ADW 9V (L)	.562	1.125	.687	.536	1.000	.030	10°	1.027	.040	.01 to .02	30°	26,600	5,370	18,100
ADW 10 (L)	ADW 10V (L)	.625	1.187	.750	.567	1.062	.030	12°	1.089	.040	.01 to .02	30°	29,000	6,130	20,250
ADW 12 (L)	ADW 12V (L)	.750	1.375	.875	.630	1.250	.040	13°	1.253	.060	.01 to .02	30°	37,000	7,730	26,200
ADW 14 (L)	ADW 14V (L)	.875	1.625	.875	.755	1.375	.040	6°	1.503	.060	.01 to .02	30°	65,200	10,800	33,600
ADW 16 (L)	ADW 16V (L)	1.00	2.125	1.375	1.005	1.875	.040	12°	2.003	.060	.01 to .02	30°	104,000	19,300	56,250