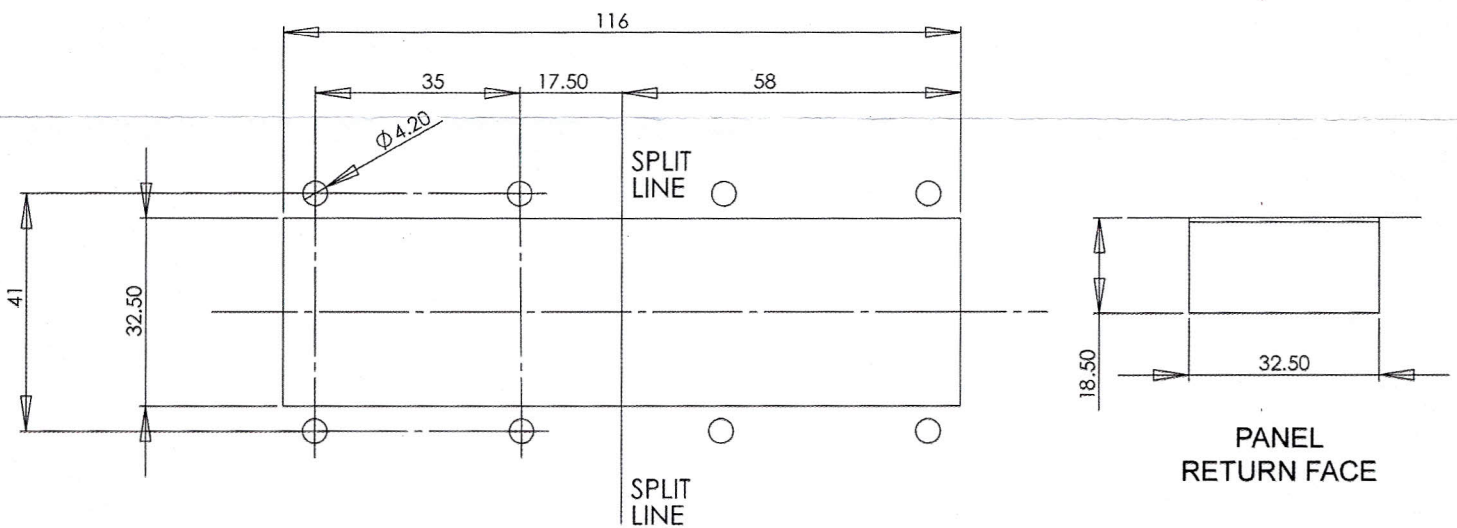
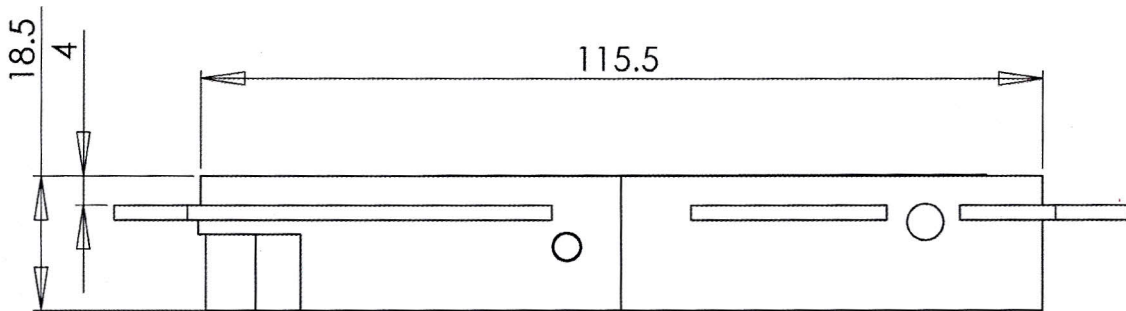
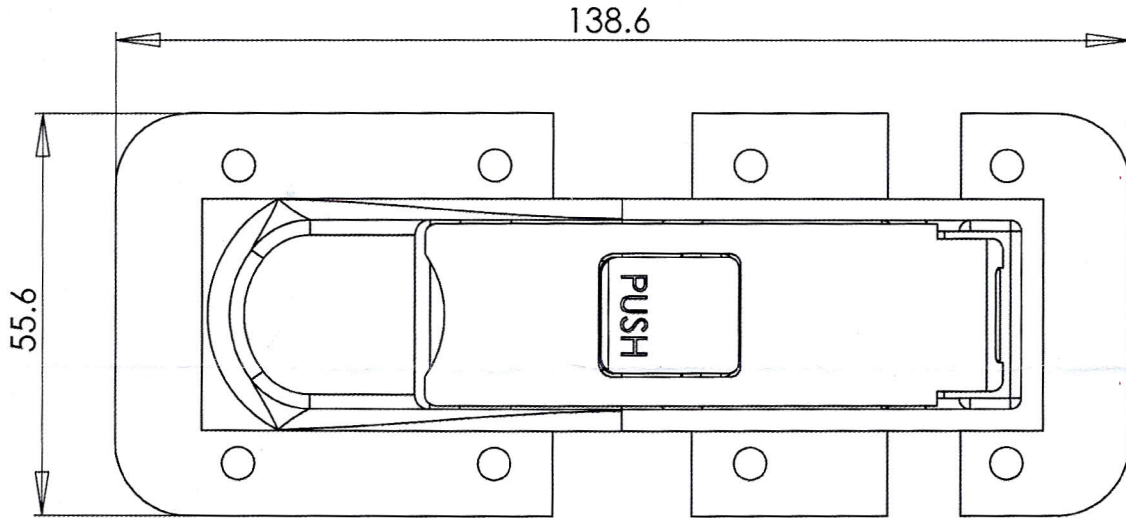


AeroCatch[®] 3

SHEAR AND TENSION LATCH

AeroCatch 325 series Flush Dimensions and Panel Cut-Out Preparation



PANEL CUTTING GUIDE

NOT TO SCALE

www.aerocatch.com