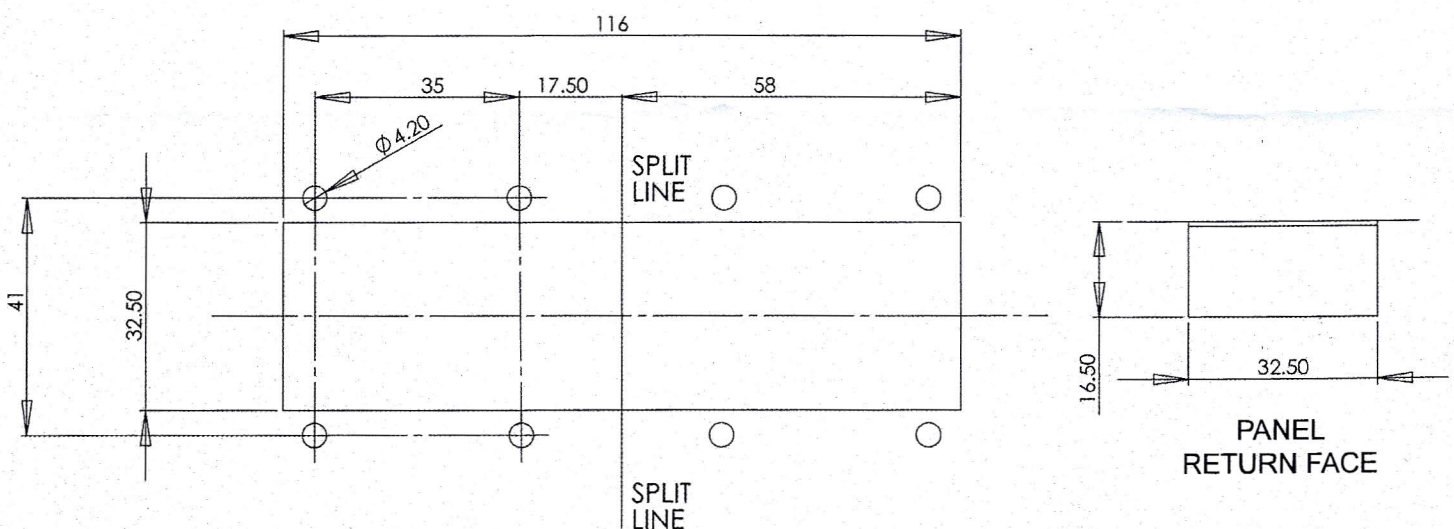
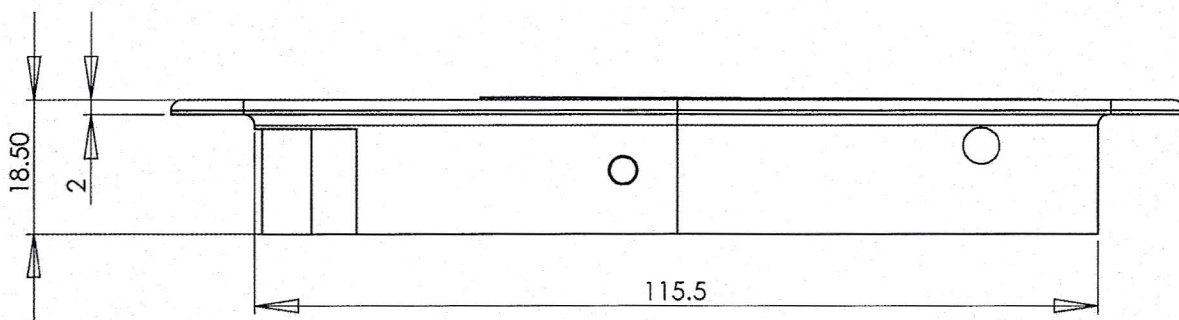
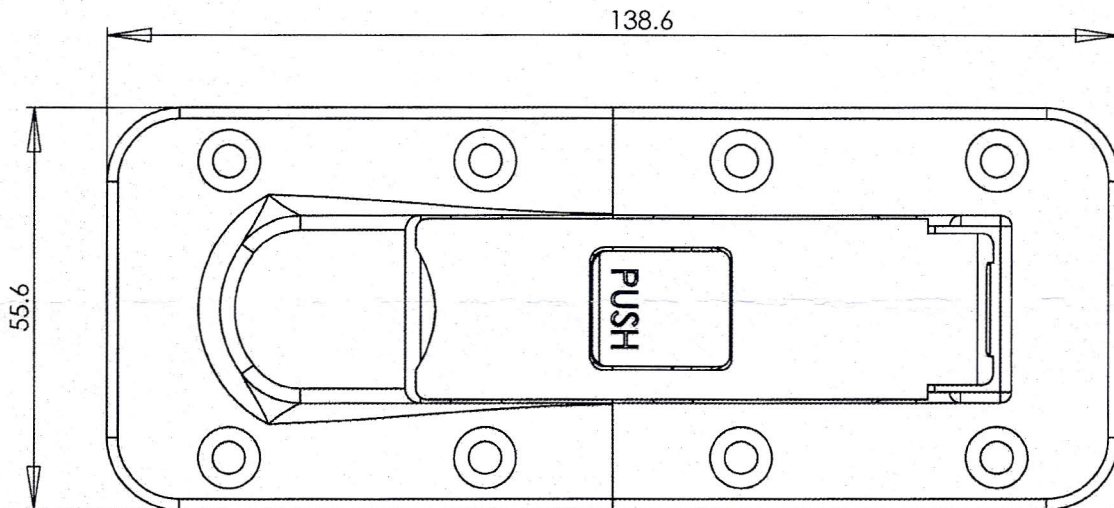


# AeroCatch<sup>®</sup> 3

## SHEAR AND TENSION LATCH

**AeroCatch 320 series Plus Flush Dimensions and Panel Cut-Out Preparation**



**PANEL CUTTING GUIDE**

**NOT TO SCALE**

**[www.aerocatch.com](http://www.aerocatch.com)**